

13

48V30A  
1800W Intelligent Charger

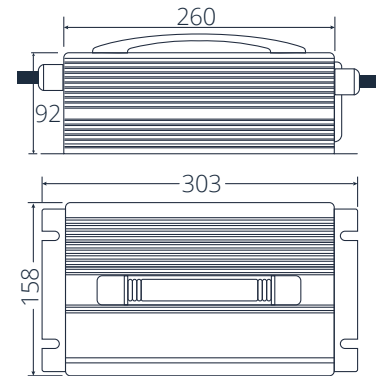
MODEL:S2500



## FEATURE

- ▶ Charger for Li-Ion batteries(lithium iron, lithium manganese and Li-NiCoMn) and lead-acid batteries(flooded, Gel and AGM)
- ▶ **AC input range:** 90VAC~264VAC 45~65HZ      ▶ Aluminum shell case
- ▶ **Weight:** 3.5kg      ▶ MCU embedded intelligent control
- ▶ **Protections:** Short circuit/Over voltage/Over power/Over temperature /reverse polarity/No spark
- ▶ **Operating temperature:** -20~40°C(-4°F~104°F)      ▶ **Efficiency:** ≥90%
- ▶ Cooling by fan      ▶ Built-In Active PFC, PF>0.9@220VAC
- ▶ Support CAN2.0B and RS-485 Communication Interface

## SIZE



Model	Nominal voltage (V)	Maximum charging voltage(V)	Output Current @100-120Vac(A)	Output Current @200-240Vac(A)	Max.output power(W)
S2500V126A500	12	12.6	25	50	630
S2500V144A500	12	14.4	25	50	720
S2500V146A500	12	14.6	25	50	730
S2500V168A500	12	16.8	25	50	840
S2500V292A500	24	29.2	25	50	1460
S2500V294A500	24	29.4	25	50	1470
S2500V420A400	36	42	20	40	1680
S2500V438A400	36	43.8	20	40	1752
<b>S2500V546A300</b>	<b>48</b>	<b>54.6</b>	<b>15</b>	<b>30</b>	<b>1638</b>
S2500V584A300	48	58.4	15	30	1752
S2500V588A300	48	58.8	15	30	1764
S2500V672A250	60	67.2	15	25	1680
S2500V714A250	60	71.4	15	25	1785
S2500V840A200	72	84	10	20	1680