

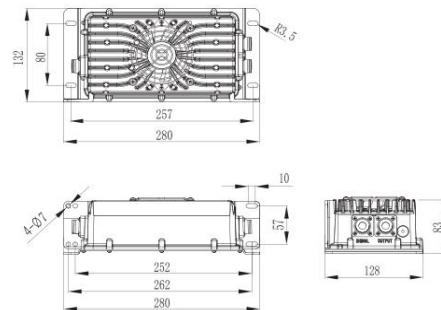
## PCHG-AS1300/PCHG-AS1500 规格书 (specification)

### Water proof charger with PFC

此系列充电机外壳采用一体化压铸结构；机器内部采用灌胶工艺；适用于富液铅酸电池、密封（胶体）铅酸电池、锂电池、镍氢电池、镍镉电池等；可用于电动轿车、电摩、观光车、巡警车、叉车、通讯、电力、船舶等电池组循环充电或者浮充电。

The shell of this series of chargers adopts integrated die-casting structure; the inner part of the charger adopts glue-filling process; it is suitable for flooded battery, sealed (VRLA gel) lead-acid batteries, lithium batteries, NI- MH batteries, NI- CD batteries, etc. It can be used for cyclic charging or floating charging of battery packs of electric cars, motorcycles, sightseeing cars, cycle charging cars, forklifts, communications, electric power, ships, etc.

电池组额定电压 Rated voltage of battery pack	最大输出电压 Max.Output voltage	最大输出电 流 Max.Output current
24V	34V	30A
36V	51V	30A
48V	68V	20A
72V	102V	15A
72V	102V	18A



### 技术参数

#### Technical parameter

1. 交流输入电压范围 AC input voltage range: 180-260VAC; 45-65Hz
2. 交流输入最大电流 AC Input Maximum Current:  $\leq 6A@220VAC$
3. 功率因数 Power factor:  $\geq 0.98$
4. 最高效率 Maximum efficiency: 93.0% (full load)
5. 噪声 Noise:  $\leq 45dB$
6. 防护等级 Grade of waterproof: IP67
7. 重量 Weight: 3kg
8. 工作温度 Operating temperature:  $-30^{\circ}C$  -  $+55^{\circ}C$
9. 存放温度 Storage temperature:  $-40^{\circ}C$  -  $+95^{\circ}C$
10. 可选配 CAN 总线控制；可外接三色指示灯；充电锁止（充电过程通过继电器可锁止车辆动力系统）。满足各种场合充电需求。

CAN bus control is optional; three-color indicator lights can be attached to the outside; charging lock (charging process can be locked by relay vehicle power system). To meet the charging requirements of various occasions

### 保护功能 Protection function

1. 输出过流保护 Output over current protection
2. 输出过压保护 Output over voltage protection
3. 输出短路保护 Output short-circuit protection
4. 输出空载保护 Output no-load protection
5. 输出反接保护 Output reversal connect protection
6. 输入过压保护 Input over voltage protection
7. 输入欠压保护 Input undervoltage protection
8. 充电机过温保护 Over temperature Protection of Charger
9. CAN 通讯故障保护 CAN Communication Fault Protection
10. 充满自动关机 Auto power off while full charge